

# VICTORY SWEEPERS INC.

WINNING TOGETHER



TM



## 8 hours on 1.5 gallons

Oh yes it will !!

The T500, exclusively from Victory Sweepers

← T500

\*Actual results may vary. Estimate is based on a U.S. gallon of gasoline. Truck chassis not included. Sweeper powered by a 5.5 horsepower Honda engine. Test chassis is 2007 Toyota Tacoma, 4 cylinder, gasoline engine that consumed approximately 4 gallons in 8 hours during the test. Pretty impressive, huh? Yeah... we thought so too.

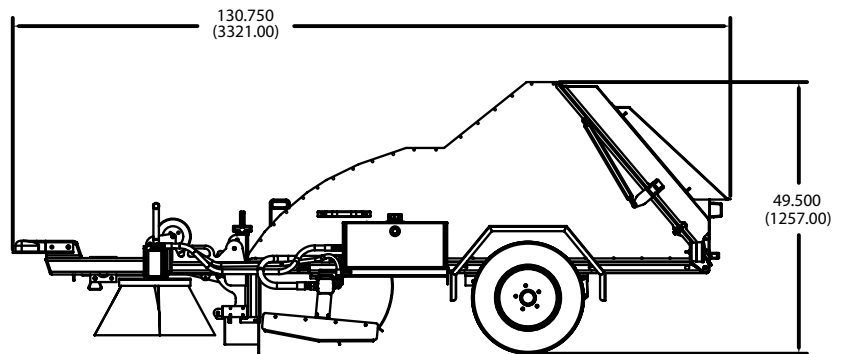
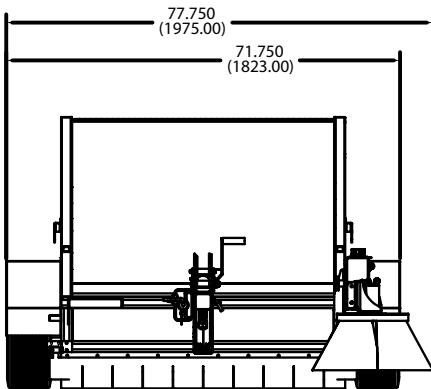


Optional Stainless Steel T500

## T 500 SPECIFICATIONS



Frame .....	2"x2"x 1/4" Wall Square Steel Tubing
Axle Capacity.....	2000 lbs
Tires.....	20.5 x 8-10
Payload.....	1000 lbs
Paint .....	Powder Coated <i>(Black Frame w/ your choice of high visibility Blue or Green Body colors, Optional unpainted stainless steel also available)</i>
Hopper.....	16 gauge steel
Hopper Coating .....	Powder Coated inside & out
Hopper Capacity.....	1.5 cu yds (volumetric)
Engine .....	Honda 5.5 Horsepower
Power Head.....	Width 48"
Hydraulic Curb Broom .....	Width 22"
Overall Length.....	132"
Overall Width.....	82"/1,778mm <i>(includes curb broom)</i>
Overall Height.....	49"
Total Dry Weight .....	998 Lbs
Optional Dust Control .....	25 Gal, 12v dc
Warranty .....	One Year Limited



*\*Specifications subject to change without notice.*



Eastern Farm Machinery Ltd. □  
RR3, P.O. Box 3613, 10 Nicholas Beaver Rd. □  
Guelph, ON. N1H 6P1 □  
Tel. 5197632400, Fax 5197633930 □  
[www.easternfarmmachinery.com](http://www.easternfarmmachinery.com)